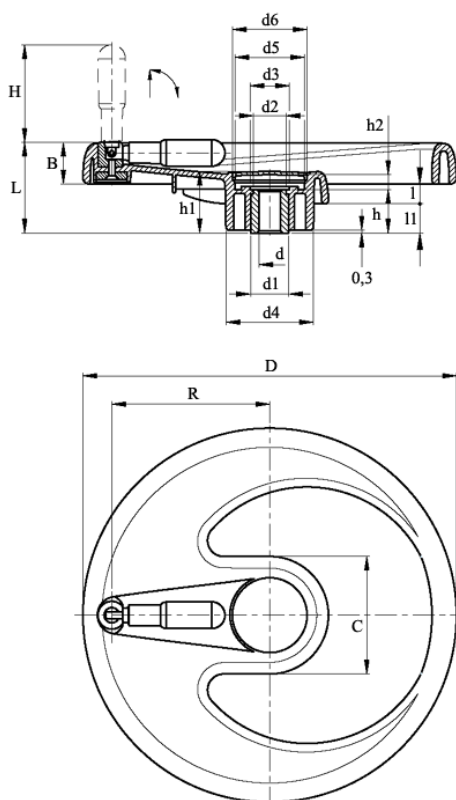


Data Sheet



Article number: 23052046116
Description: E+G Handwheel
EMW.350+IEL-A20-C6

Measures



| | | |
|---------|-----------|---------|
| B = 38 | d6 = 70 | l1 = 25 |
| C = 108 | d H7 = 20 | R = 148 |
| D = 350 | H = 90 | |
| d1 = 35 | h = 38 | |
| d2 = 33 | h1 = 55 | |
| d3 = 35 | h2 = 14 | |
| d4 = 82 | l = 19 | |
| d5 = 69 | L = 82 | |